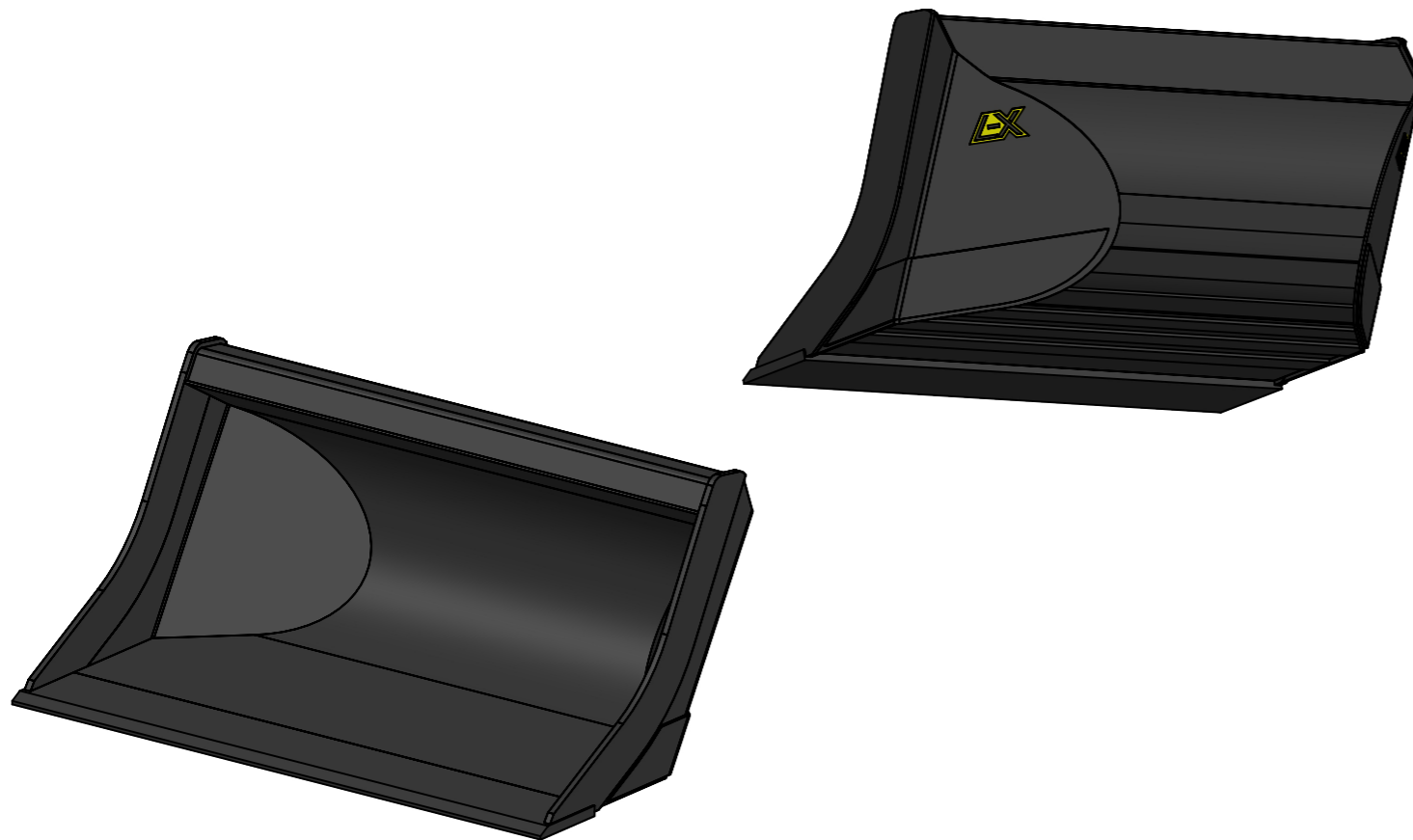
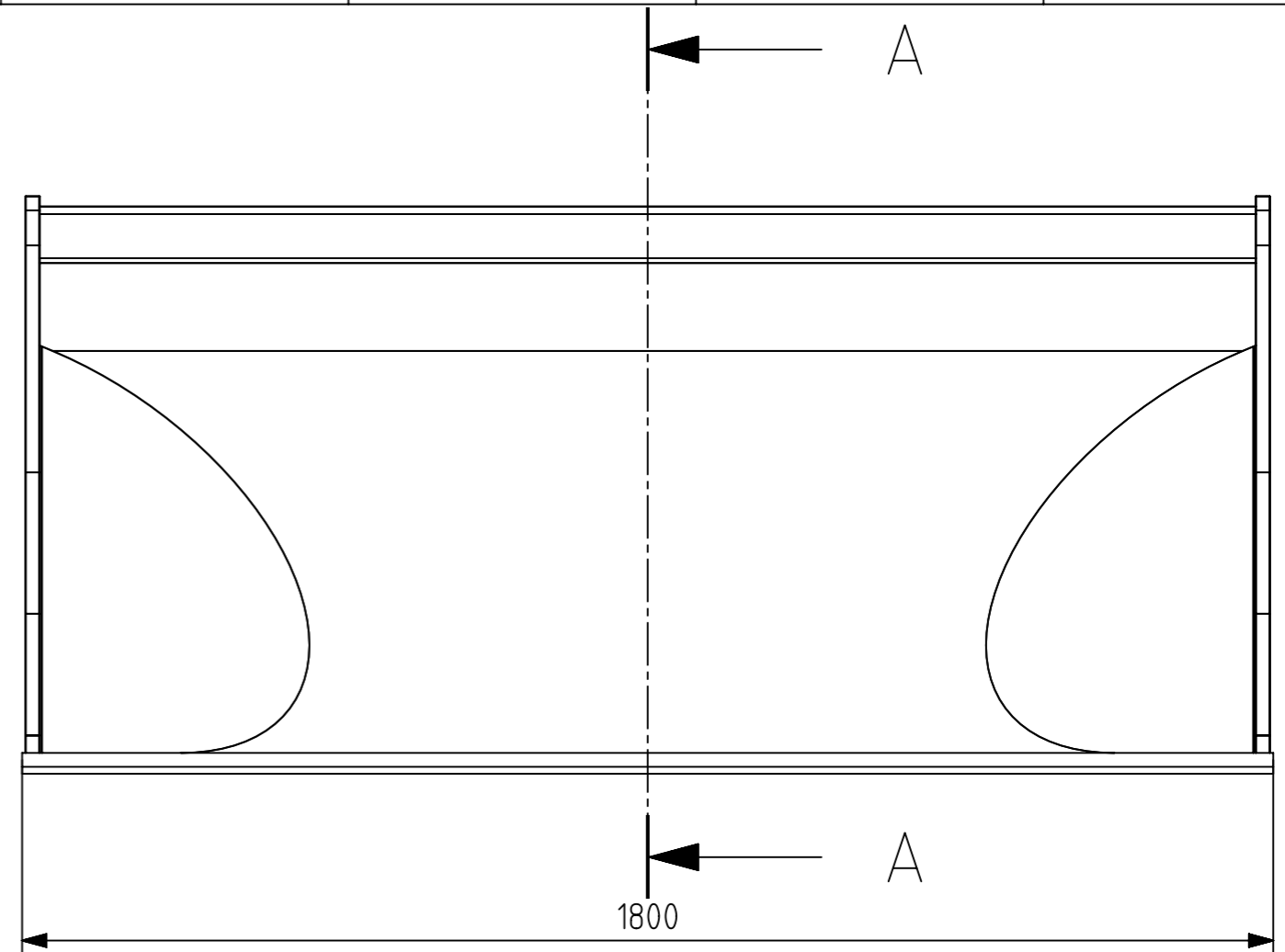
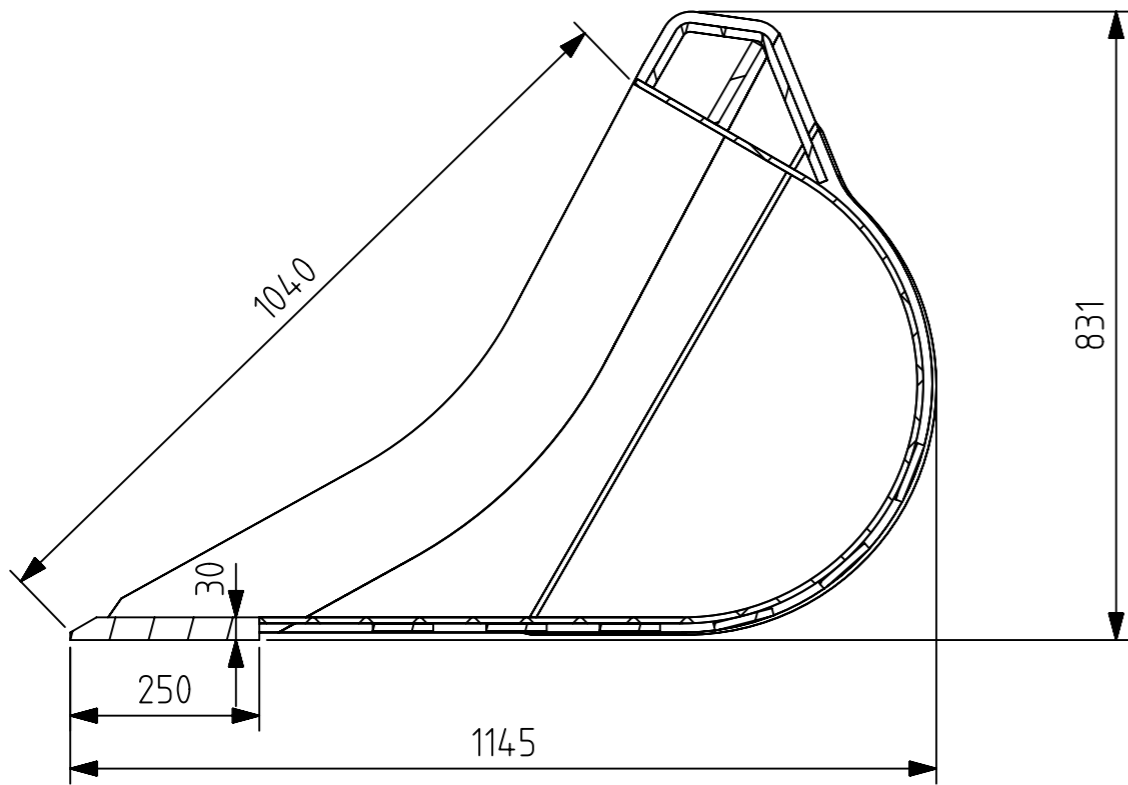


SECTION A-A



9	TT0070825	A	Logo LX Attachments 80mm	2
8	TT0072916	A	Rug	1
7	TT0072581	A	Bodemplaat	1
6	TT0053385	A	Plooiwal	1
5	TT0053387	A	Zijkant links	1
4	TT0053388	A	Zijkant rechts	1
3	TT0053389	A	Slijtstrip links	1
2	TT0053390	A	Slijtstrip rechts	1
1	TT0053386	A	Voorkant	2
Pos	PART NO	Rev.	PART NAME	QTY

WEIGHT	MATERIAL	REMARKS	DRAWN BY	DATE
600kg	Staal	Heaped capacity (SAE) 1.12m <sup>3</sup>	dylan	01-Aug-2024

GENERAL TOLERANCE FOR LENGTH,ANGLE,CHAMFER,FILLET: ISO2768-m / SHAPE AND PLACE: ISO2768-K / WELD DIMENSIONS: DIN8570 T1 CLASS 'B'

	TITLE	SCALE	SIZE
	Kofferbak 1.8m tiltrotator ZX225	1:1	A3

	DRAWING NO	REV.	SHEET
MINDS x MACHINERY	TT0076188	A	1 / 1