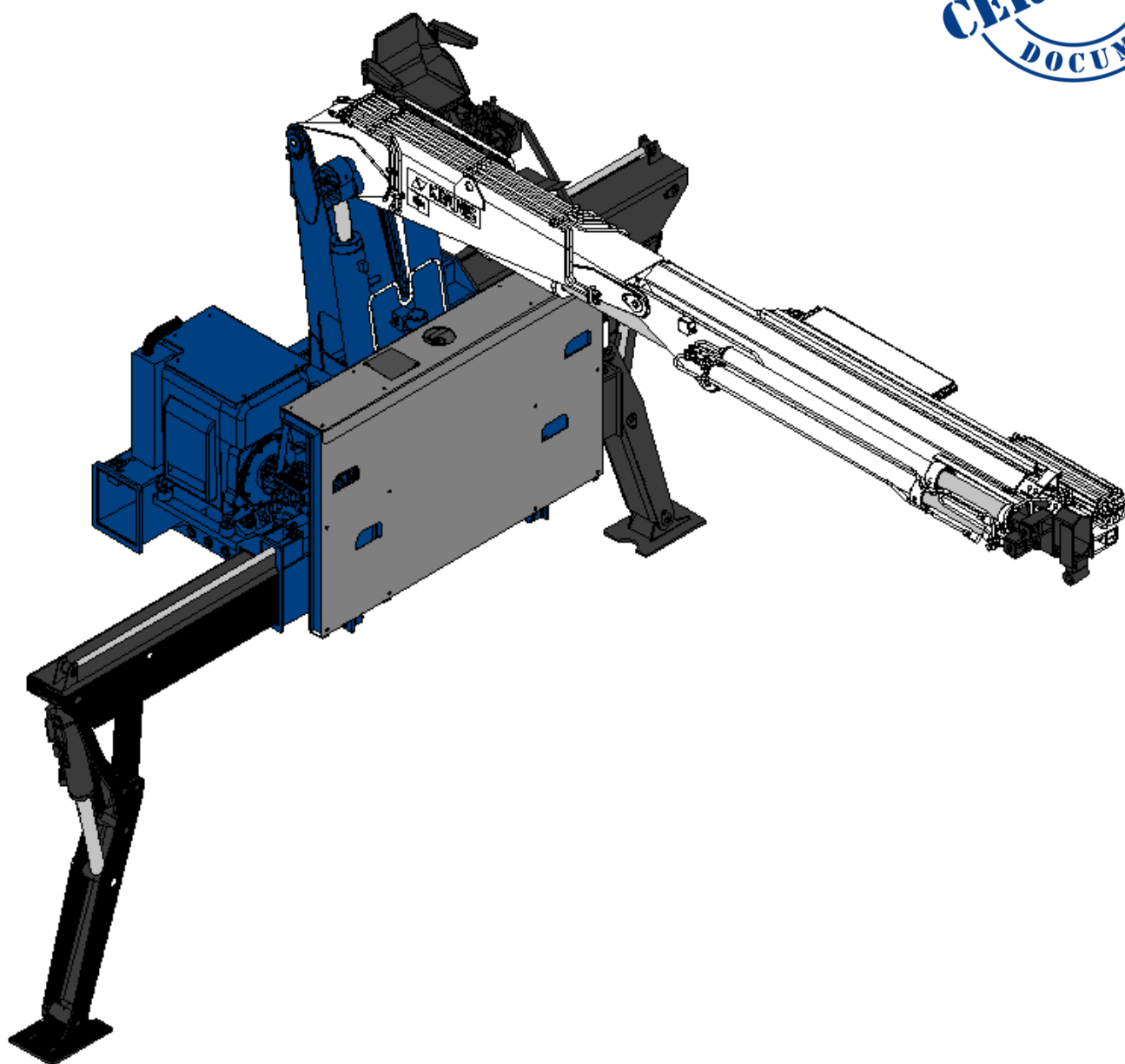


KENNIS R-24

TECHNISCHE SPECIFICATIE / TECHNICAL SPECIFICATIONS



 **KENNIS**
CRANES BY HYVA

www.hyva.com

Kennis R-24

Technische Specificatie / Technical Specifications

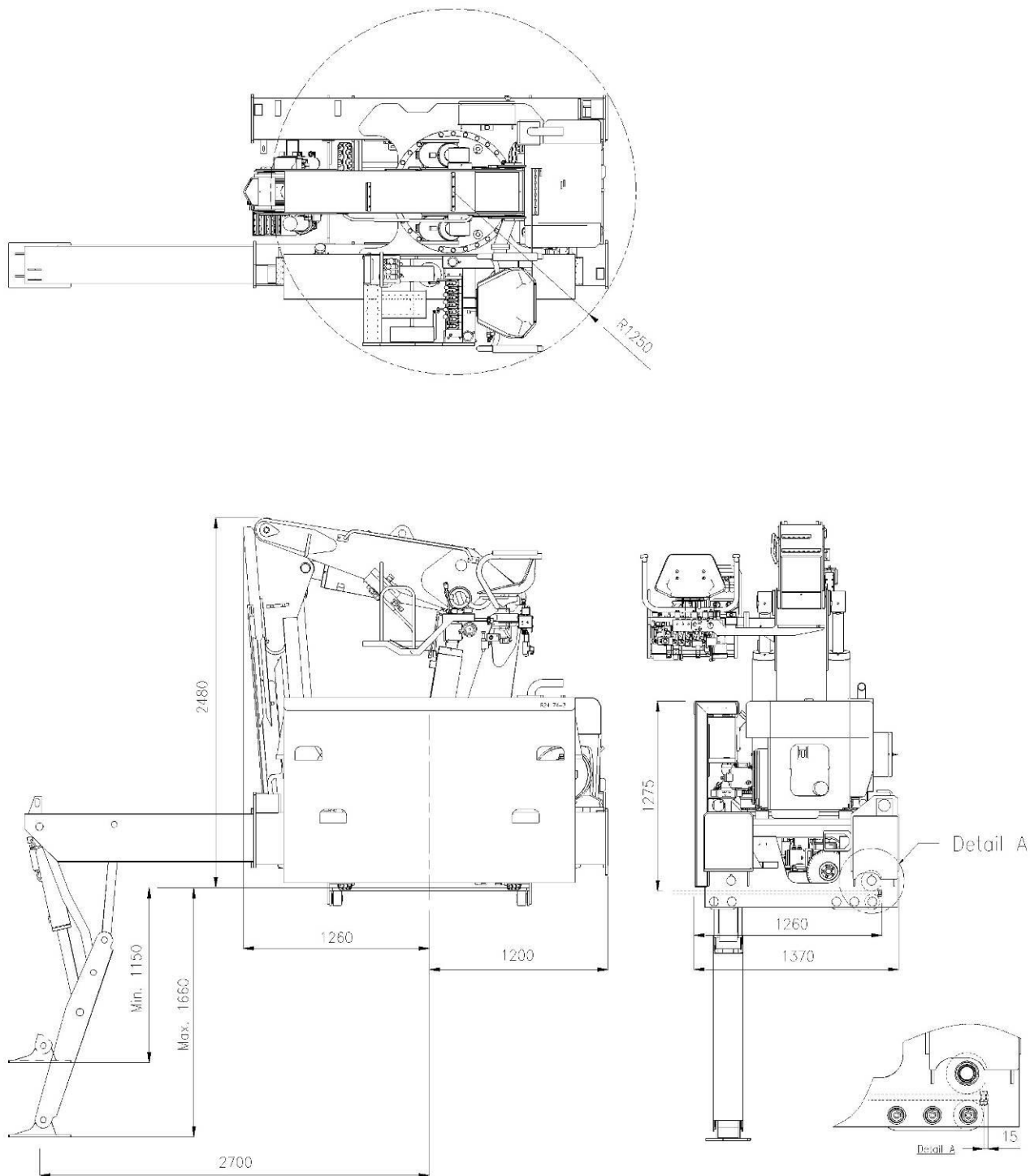
Technische data, Technical data,

		R-24/74-3	R-24/87-4	R-24/100-3	R-24/100-5
Maximaal dynamisch moment, Max dynamic moment	daNm	33600			
Maximale steunpoot belasting, Max force on stabilizer leg	daNm	11900			
Max standaard steunpoot druk op de grond Max standard stabilizer pressure on the ground	daN/cm ²	11			
Hydraulisch bereik, Hydraulicreach,	m	7.40	8.70	10.0	10.0
Opvouwbaar, Foldable,	Y/N	Y	Y	N	Y
Zwenkmoment, Slewing moment,	daNm	2700			
Zwenkbereik, Slewing angle,	o	∞			
Rijsnelheid, Driving speed,	m/s	0.5			
Hoogte, Height,	mm	2470	2250	2250	2545
Breedte ingevouwen, Widthfolded,	mm	2515	2515	2515	2515
Inbouwlengte, Length,	mm	1350	1350	1350	1350
Max. afstempelbasis, Max. stabiliser spread,	mm	5400			
Gewicht standaard kraan, Weight basic crane, (± 5%)	kg	4290	4450	4500	4620
Werkdruk, Working pressure,	bar	280			
Max. pompopbrengst, Max. Oil capacity,	l/min	Continu variabel			
Benodigd vermogen, Required power,	kW	22			
Olietankinhoud, Oiltank capacity,	l	110			
Dieseltank inhoud, Dieseltank capacity,	l	45			
Spoorbreedtes, Track,	mm	1300 -2250 - 2420*			
Flensdikte, flange thickness,	mm	20			
Normen, Design standard		DIN 15018 H1-B3 EN12999			

Kennis R-24

Technische Specificatie / Technical Specifications

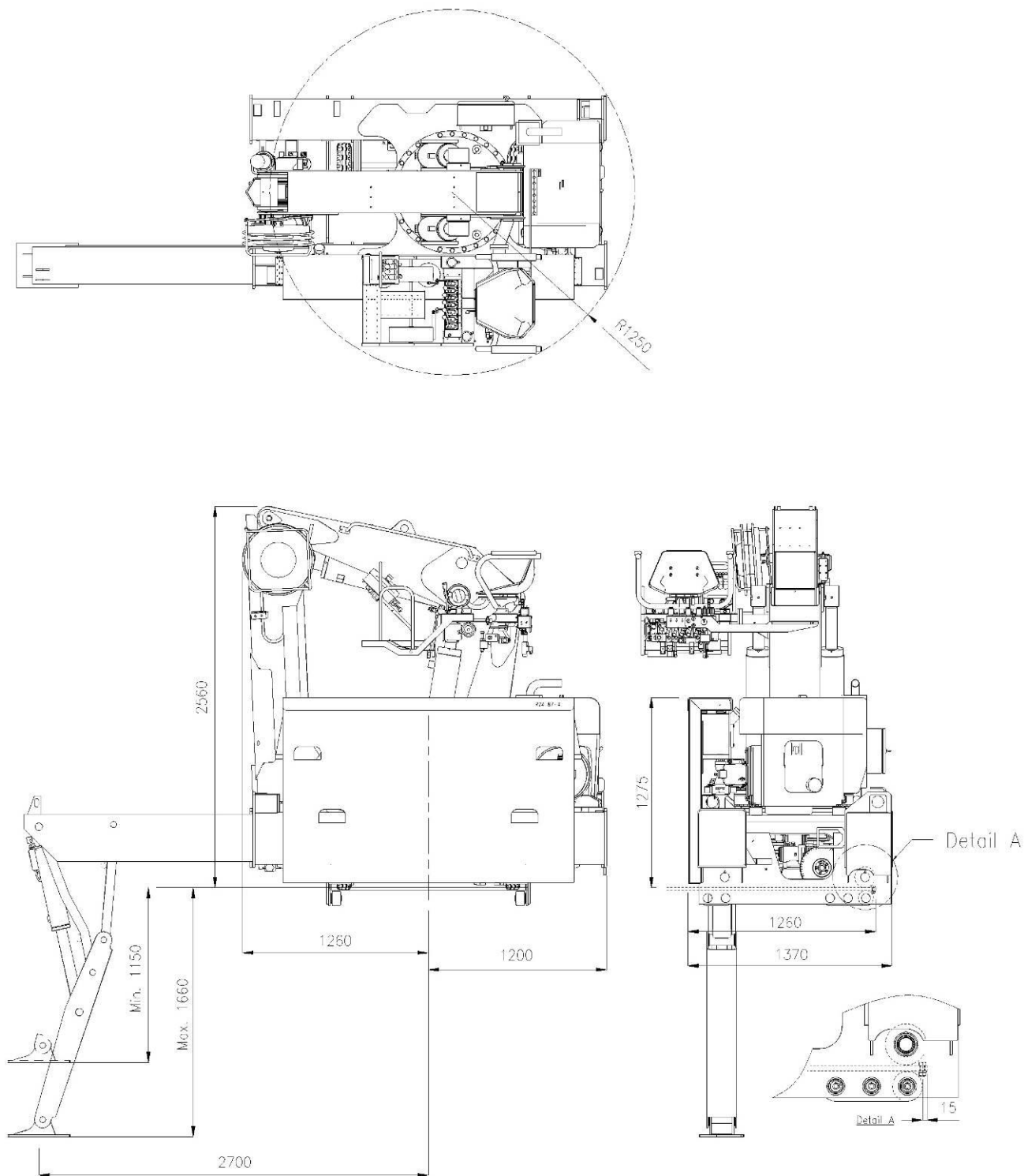
Afmetingen, Dimensions: R-24/74-3



Kennis R-24

Technische Specificatie / Technical Specifications

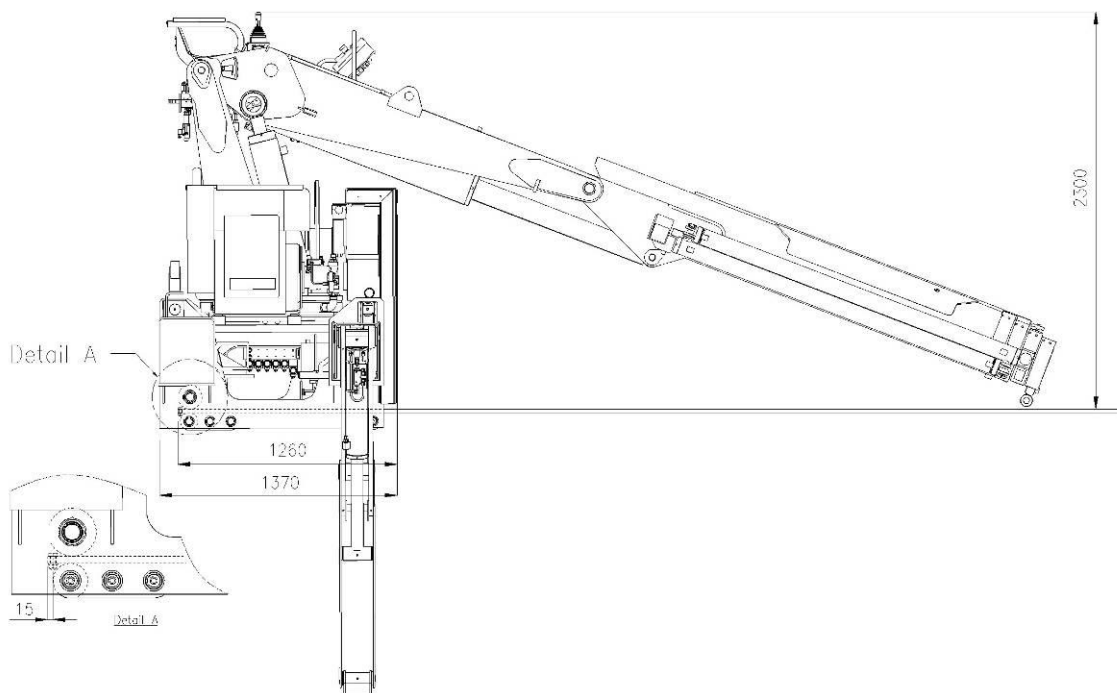
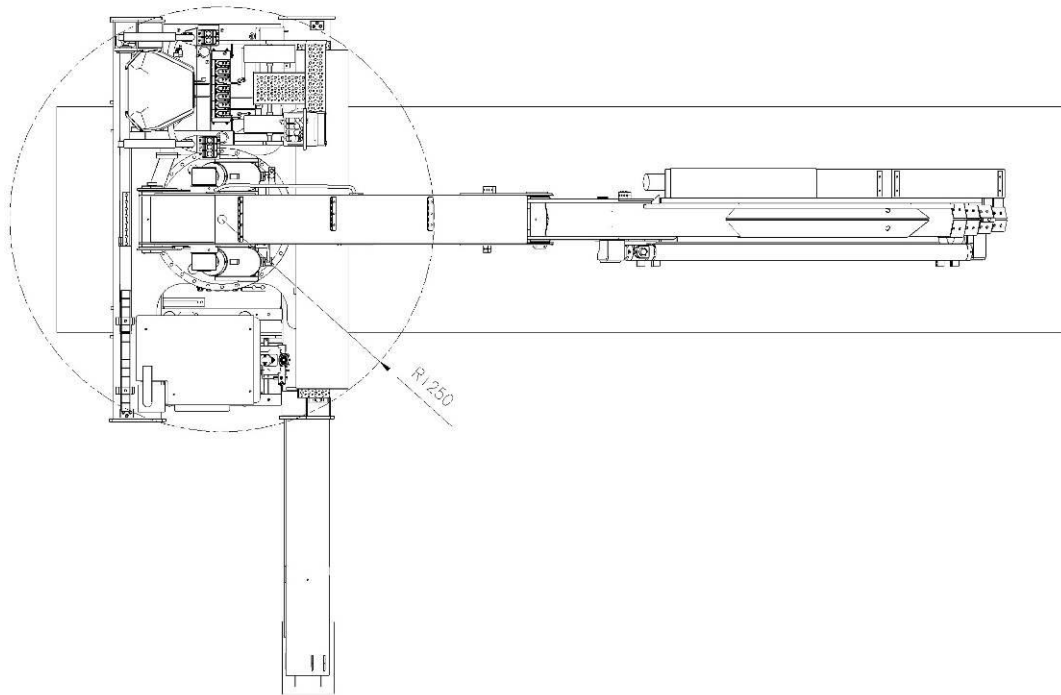
Afmetingen, Dimensions: R-24/87-4



Kennis R-24

Technische Specificatie / Technical Specifications

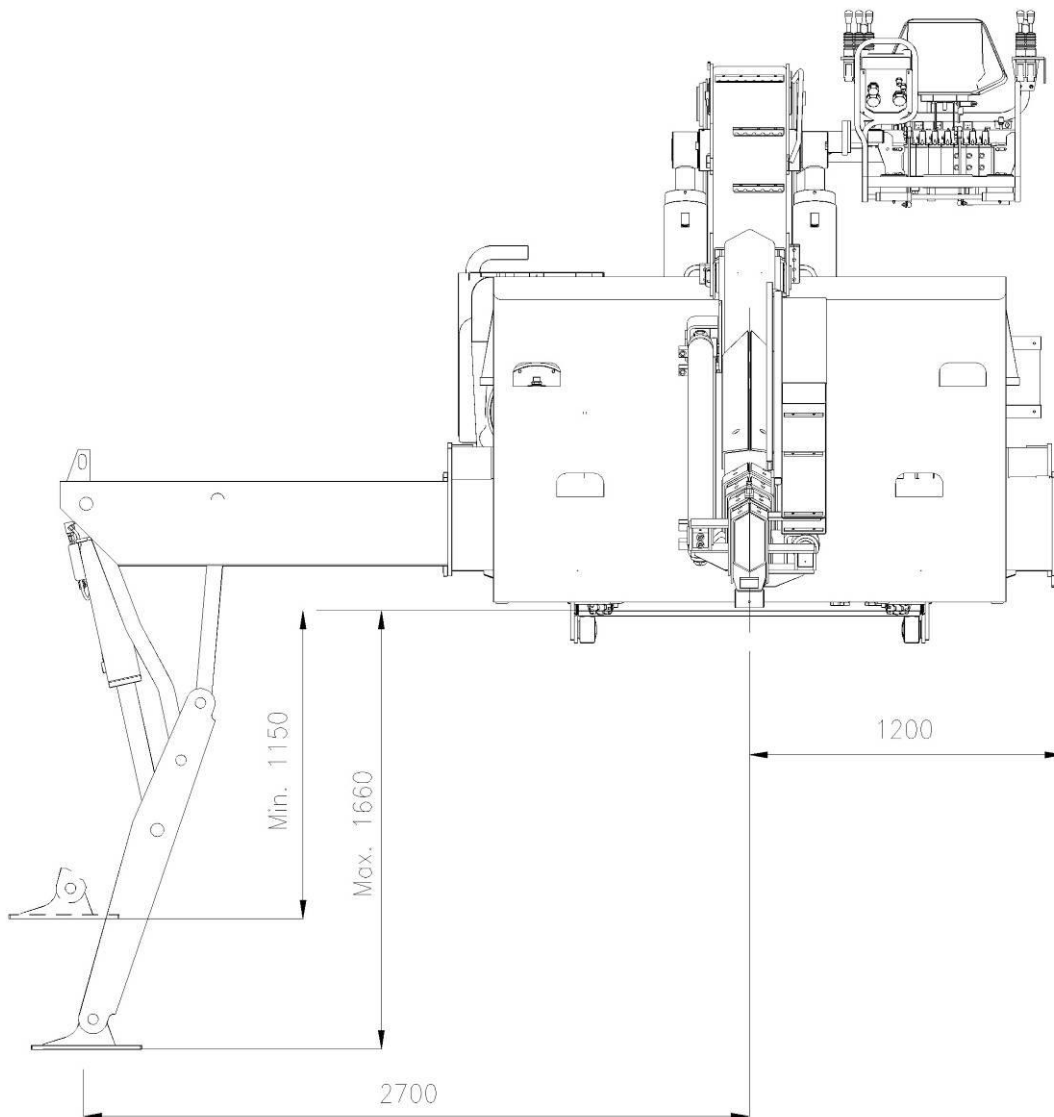
Afmetingen, Dimensions: R-24/100-3



Kennis R-24

Technische Specificatie / Technical Specifications

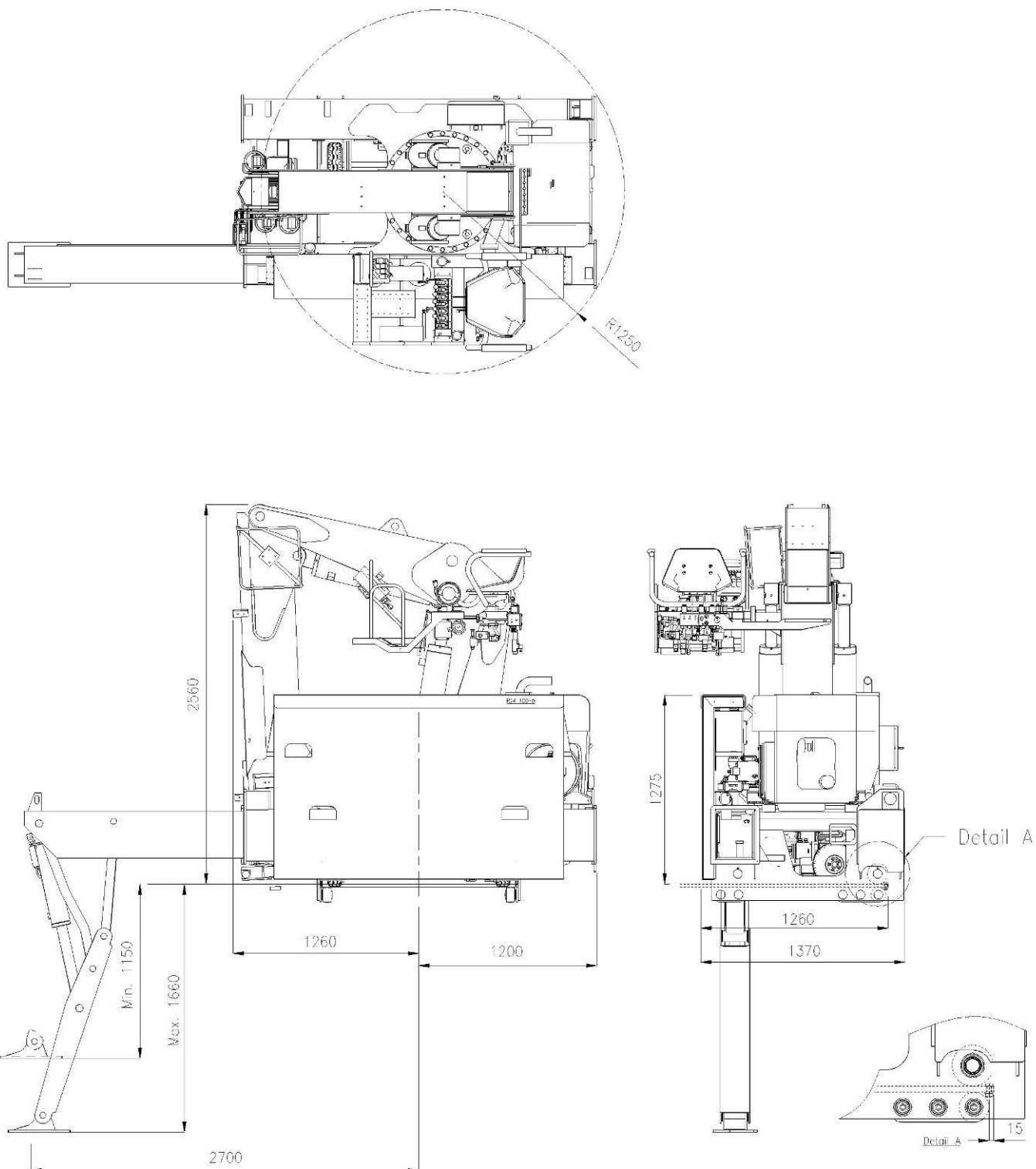
Afmetingen, Dimensions: R-24/100-3



Kennis R-24

Technische Specificatie / Technical Specifications

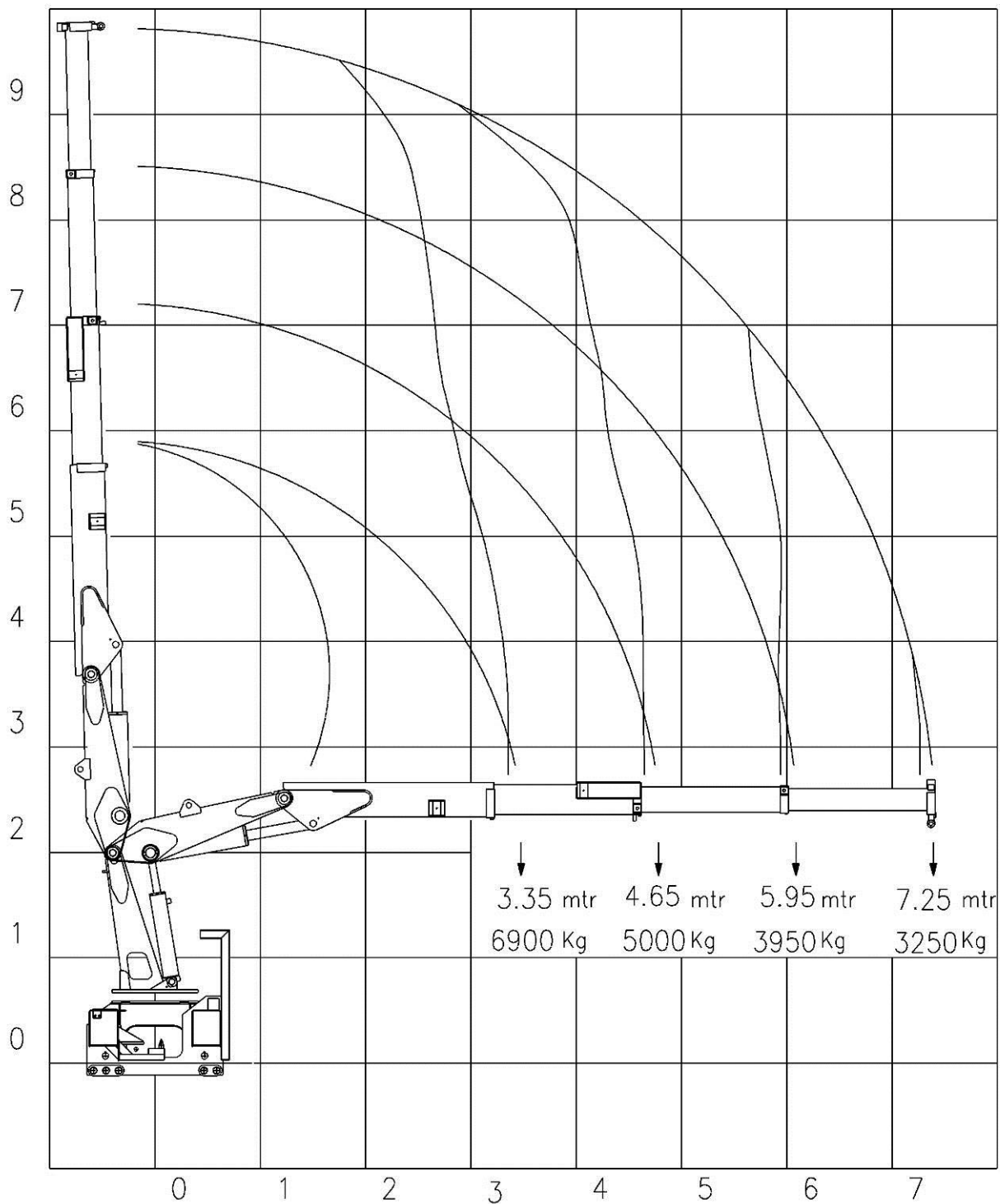
Afmetingen, Dimensions: R-24/100-5



Kennis R-24

Technische Specificatie / Technical Specifications

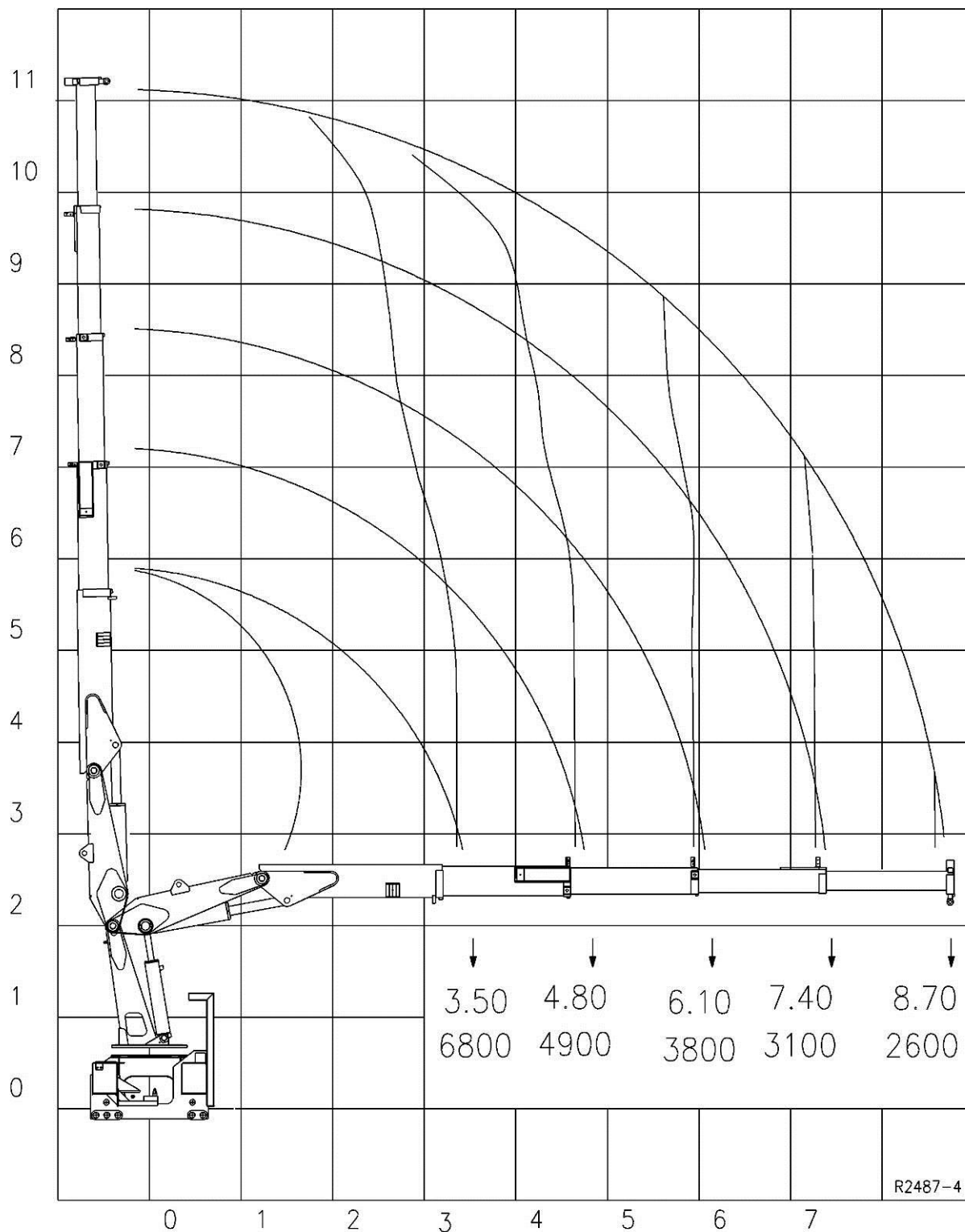
Lastdiagram, Loadiagram: R-24 / 74-3



Kennis R-24

Technische Specificatie / Technical Specifications

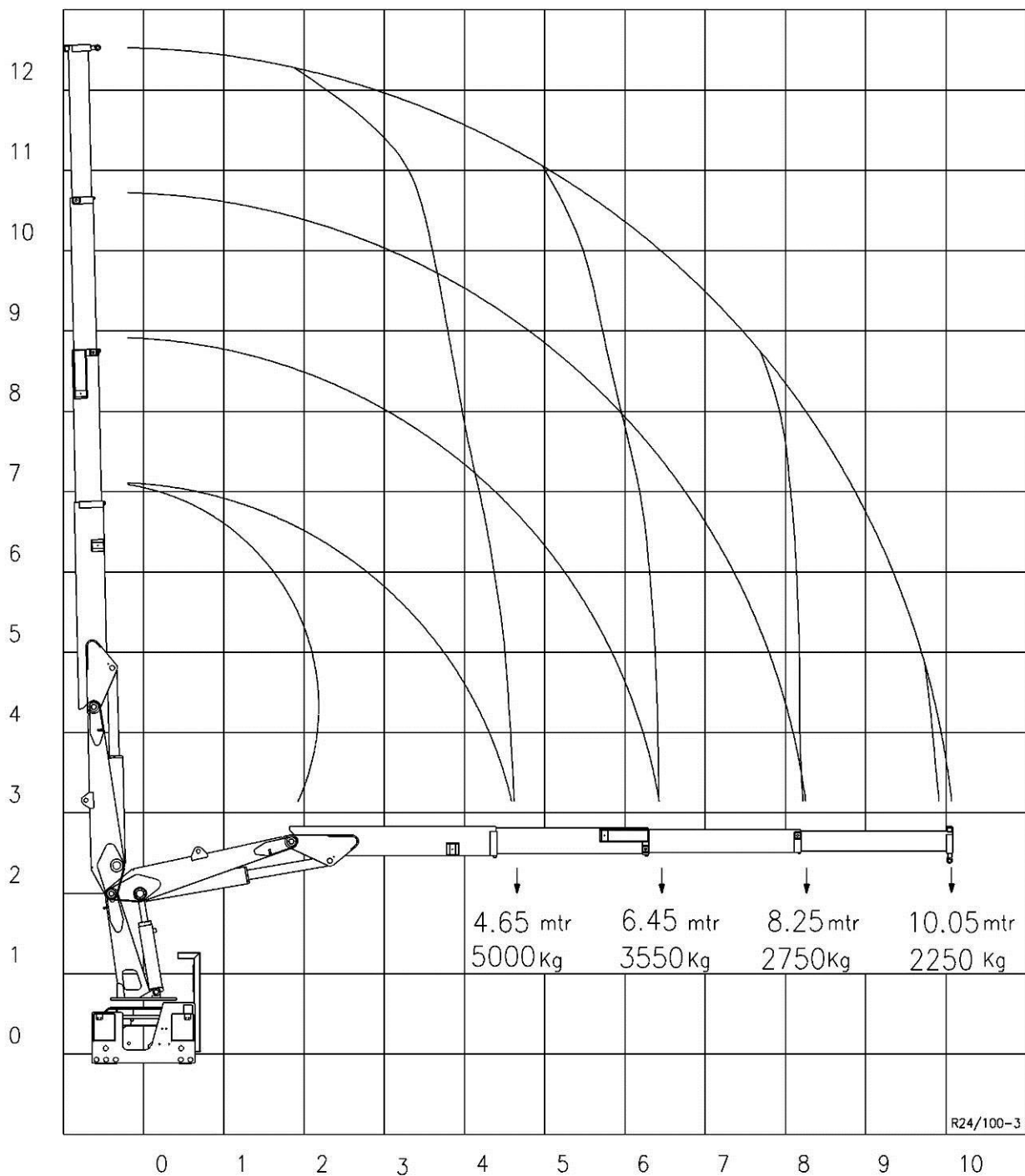
Lastdiagram, Loadiagram: R-24 / 87-4



Kennis R-24

Technische Specificatie / Technical Specifications

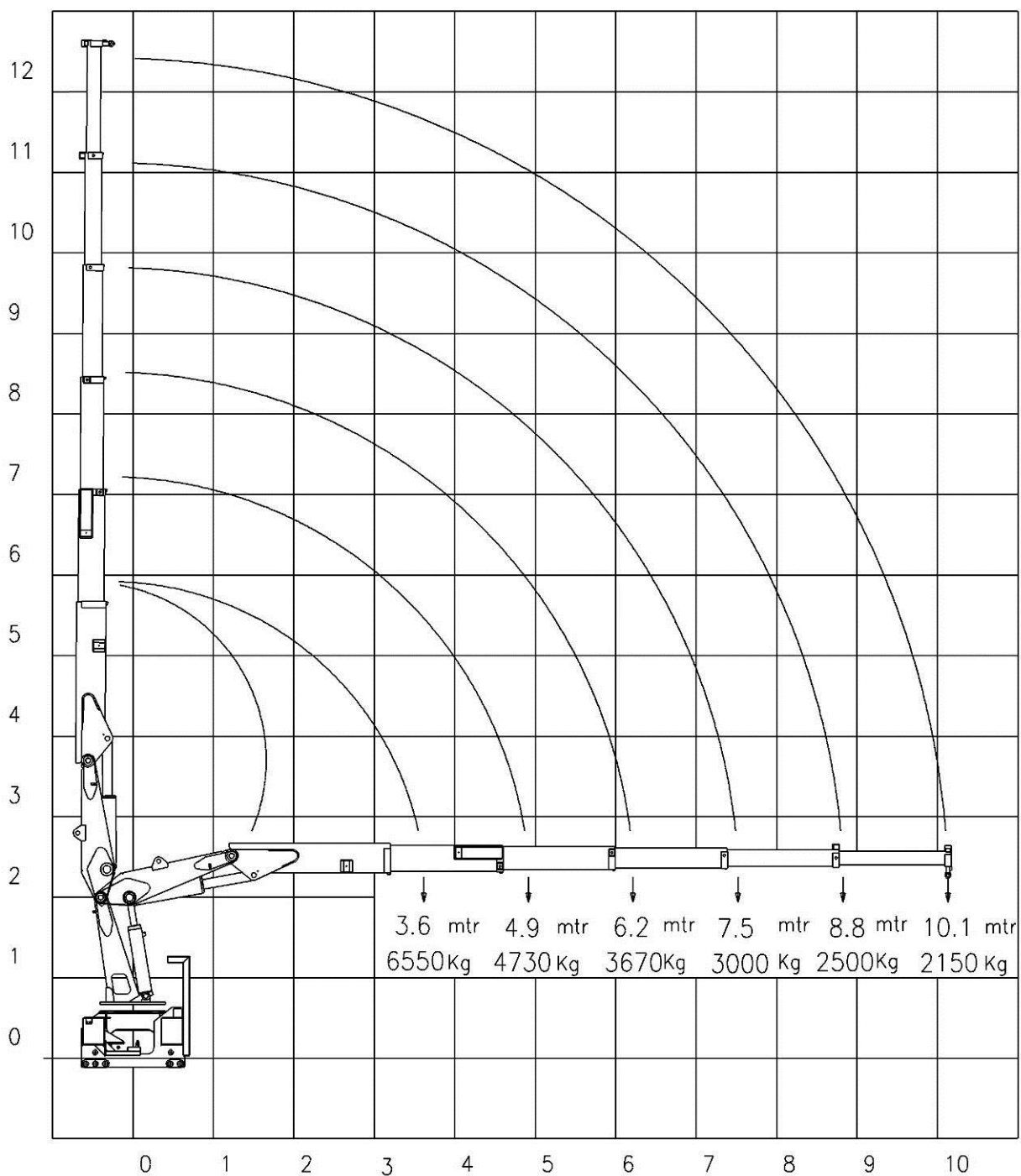
Lastdiagram, Loadiagram: R-24 / 100-3



Kennis R-24

Technische Specificatie / Technical Specifications

Lastdiagram, Loadiagram: R-24 / 100-5

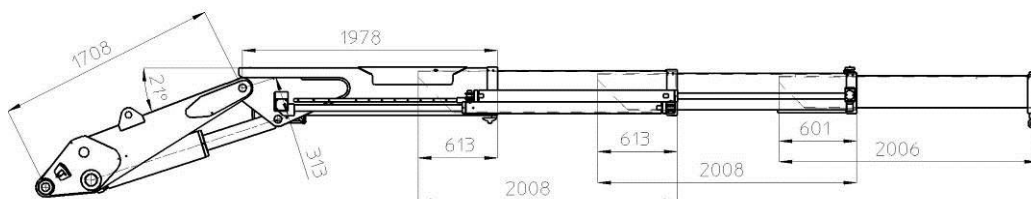


Kennis R-24

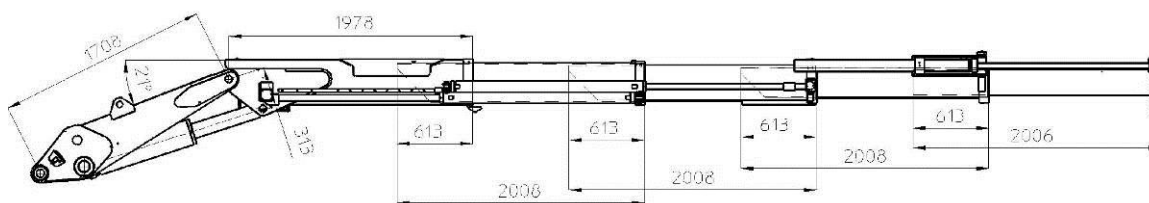
Technische Specificatie / Technical Specifications

Giek – afmetingen, Boom - Dimensions

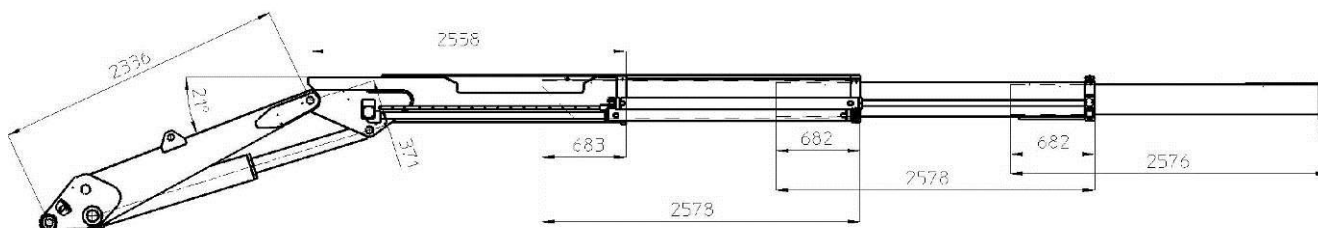
R-24 / 74-3



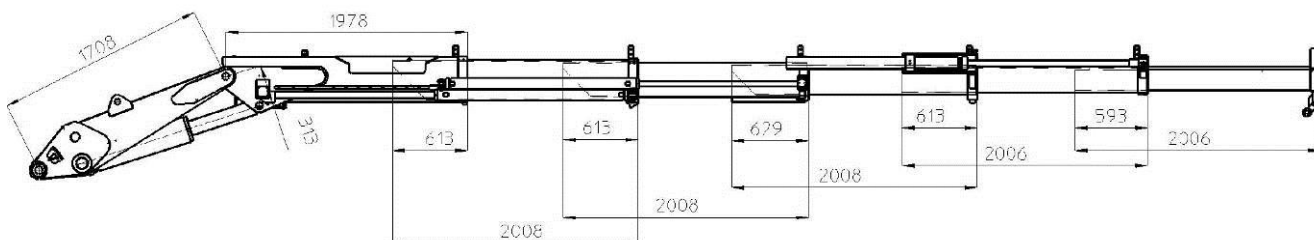
R-24 / 87-4



R-24 / 100-3



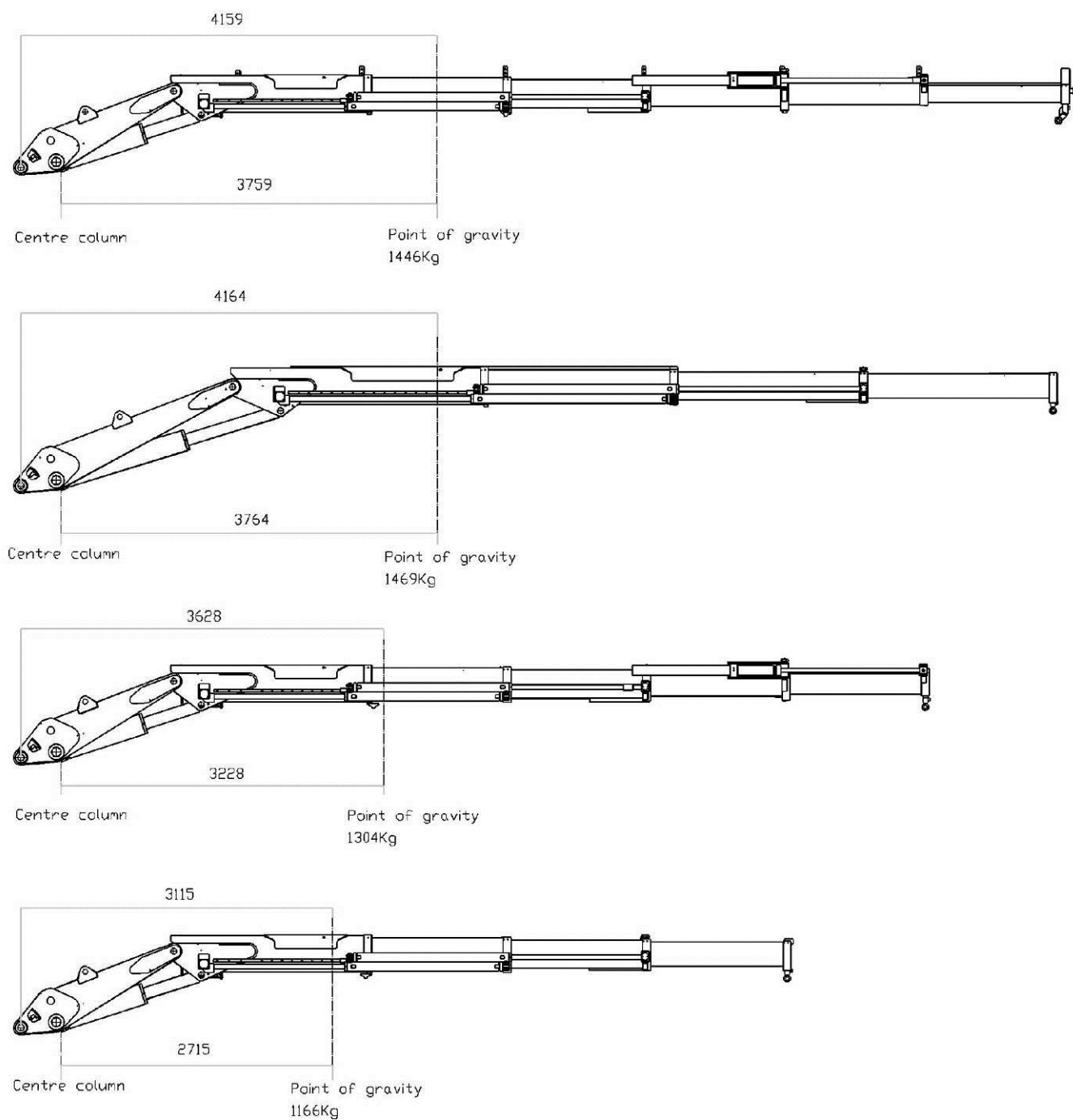
R-24 / 100-5



Kennis R-24

Technische Specificatie / Technical Specifications

Gewicht – zwaartepunten, Weight – center of gravity



Kennis R-24

Technische Specificatie / Technical Specifications

Cilinders en pen afmetingen, Cylinders and pins dimensions.

Hefcilinder, Lifting Cylinder 50230000 (2x)

Cylinder bore	140
Cyl. Ext. diameter	165
Rod diameter	75
Pitch (open)	1650
Pitch (closed)	1040
Stroke	610
Fittings	G1/2"
Artic. Pin Ø	1x 90 1x 55
Pin steel	42CrMo4V

Knikcilinder, Articulation Cylinder 50230020

Cylinder bore	180
Cyl. Ext. diameter	210
Rod diameter	120-90
Pitch (open)	1627
Pitch (closed)	1029
Stroke	598
Fittings	G1/2"
Artic. Pin Ø	1x90 1x30
Pin steel	42CrMo4V / 42CrMo6

Uitschuifcilinder, Extension cylinders 1 50271140

Cylinder bore	75
Cyl. Ext. diameter	90
Rod diameter	50-28
Pitch (open)	3020
Pitch (closed)	1723
Stroke	1297
Fittings	G3/8"
Artic. Pin Ø	30-39
Pin steel	C45 / S355JO

Uitschuifcilinder, Extension cylinders 2 50271240

Cylinder bore	75
Cyl. Ext. diameter	90
Rod diameter	45-35
Pitch (open)	2954
Pitch (closed)	1657
Stroke	1297
Fittings	G3/8"
Artic. Pin Ø	30-39
Pin steel	C45 / S355JO

Uitschuifcilinder, Extension cylinders 3 50234440

Cylinder bore	80
Cyl. Ext. diameter	95
Rod diameter	45-20
Pitch (open)	2915
Pitch (closed)	1610
Stroke	1305
Fittings	G1/2"
Artic. Pin Ø	26
Pin steel	C45

Uitschuifcilinder, Extension cylinders 4 50244540

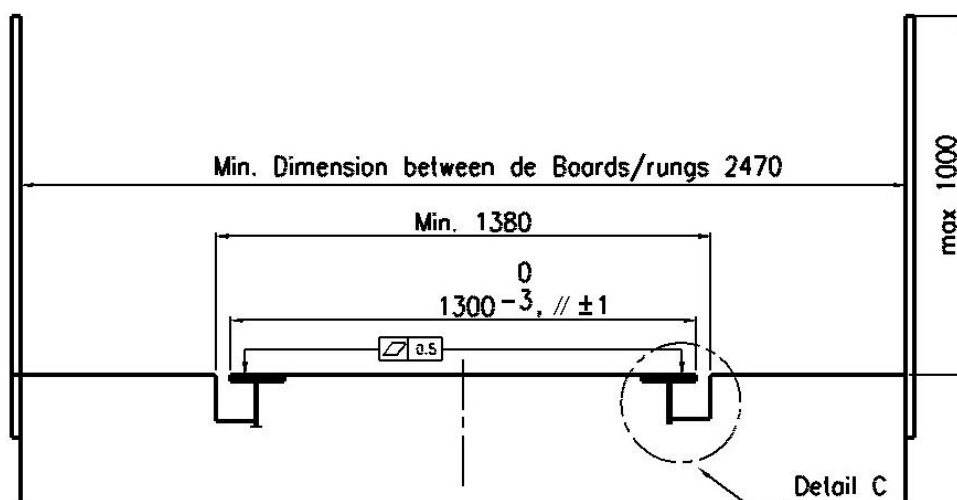
Cylinder bore	80
Cyl. Ext. diameter	95
Rod diameter	40
Pitch (open)	2910
Pitch (closed)	1610
Stroke	1300
Fittings	G1/2"
Artic. Pin Ø	26
Pin steel	C45

Kennis R-24

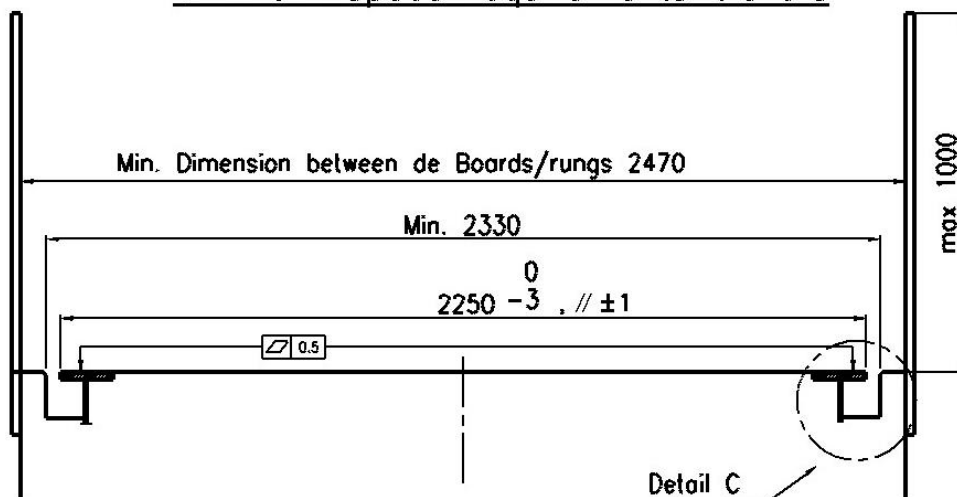
Technische Specificatie / Technical Specifications

Minimale eisen trailer, Minimum requirements trailer,

Deze informatie niet gebruiken voor sterkteberekeningen
This information is not suitable for strength calculations



Minimum space requirements trailers



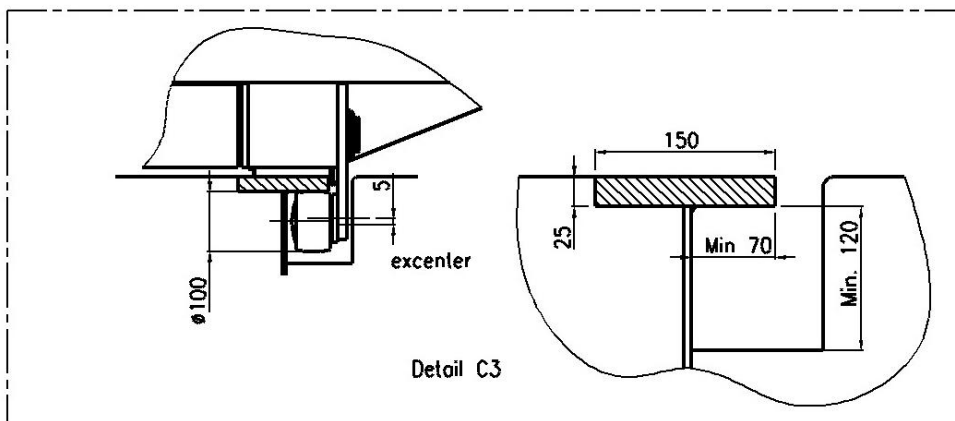
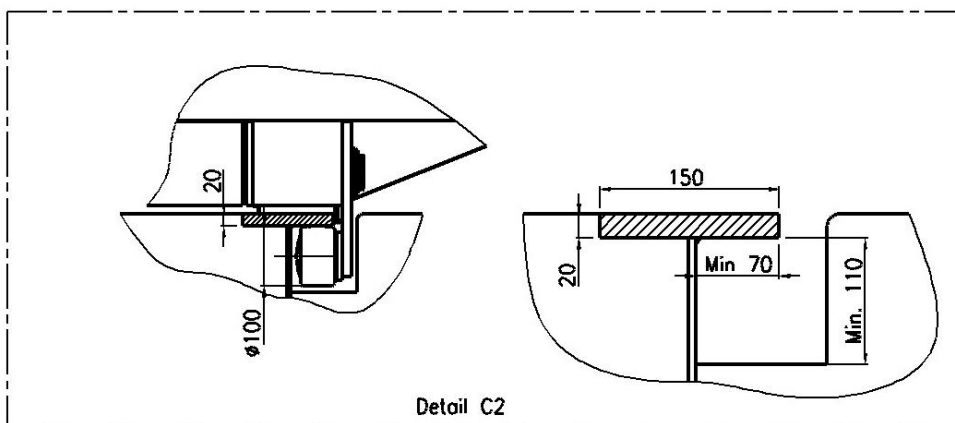
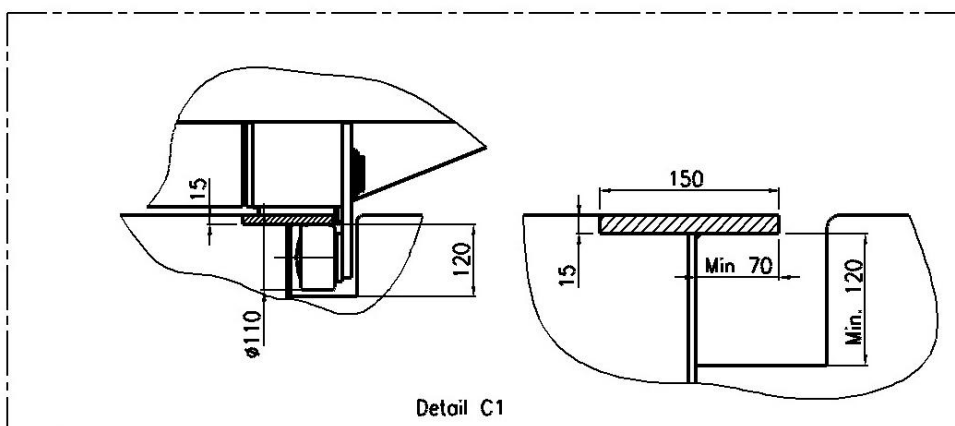
Minimale eisen trailer

Kennis R-24

Technische Specificatie / Technical Specifications

Minimale eisen trailer, Minimum requirements trailer,

Deze informatie niet gebruiken voor sterkteberekeningen
This information is not suitable for strength calculations



Kennis R-24

Technische Specificatie / Technical Specifications

Standaard bedieningsvolgordes, standard control orders.

STANDARD CONTROL ORDER LEVERS.

- A: Main boom down
- B: Main boom up
- C: Outer boom down
- D: Outer boom up
- E: Crane slewing right
- F: Crane slewing left
- G: Driving forward
- H: Driving backwards
- I: Clamp open
- J: Clamp close

Norm: 10-08-01 eng \ rev-

STANDARD CONTROL ORDER COMFORT.

- A: Main boom down
- B: Main boom up
- C: Outer boom down
- D: Outer boom up
- E: Crane slewing right
- F: Crane slewing left
- G: Driving forward
- H: Driving backwards
- I: Clamp open
- J: Clamp close

Norm: 10-07-01 eng \ rev-

Kennis R-24

Technische Specificatie / Technical Specifications

Standaard bedieningsvolgordes, standard control orders.

STANDARD CONTROL ORDER JOYSTICKS.

- A: Outer boom down
- B: Outer boom up
- C: Crane slewing left
- D: Crane slewing right
- E: Main boom down
- F: Main boom up
- G: Rotator slewing left
- H: Rotator slewing right

Norm: 10-06-01 eng\rev.-

STANDARD CONTROL ORDER JOYSTICKS.

Because of safety considerations the joysticks are so connected, that if button 1 in the left joystick not is restrained, the clamp switch 2 en 3 in the right joystick is inoperative.

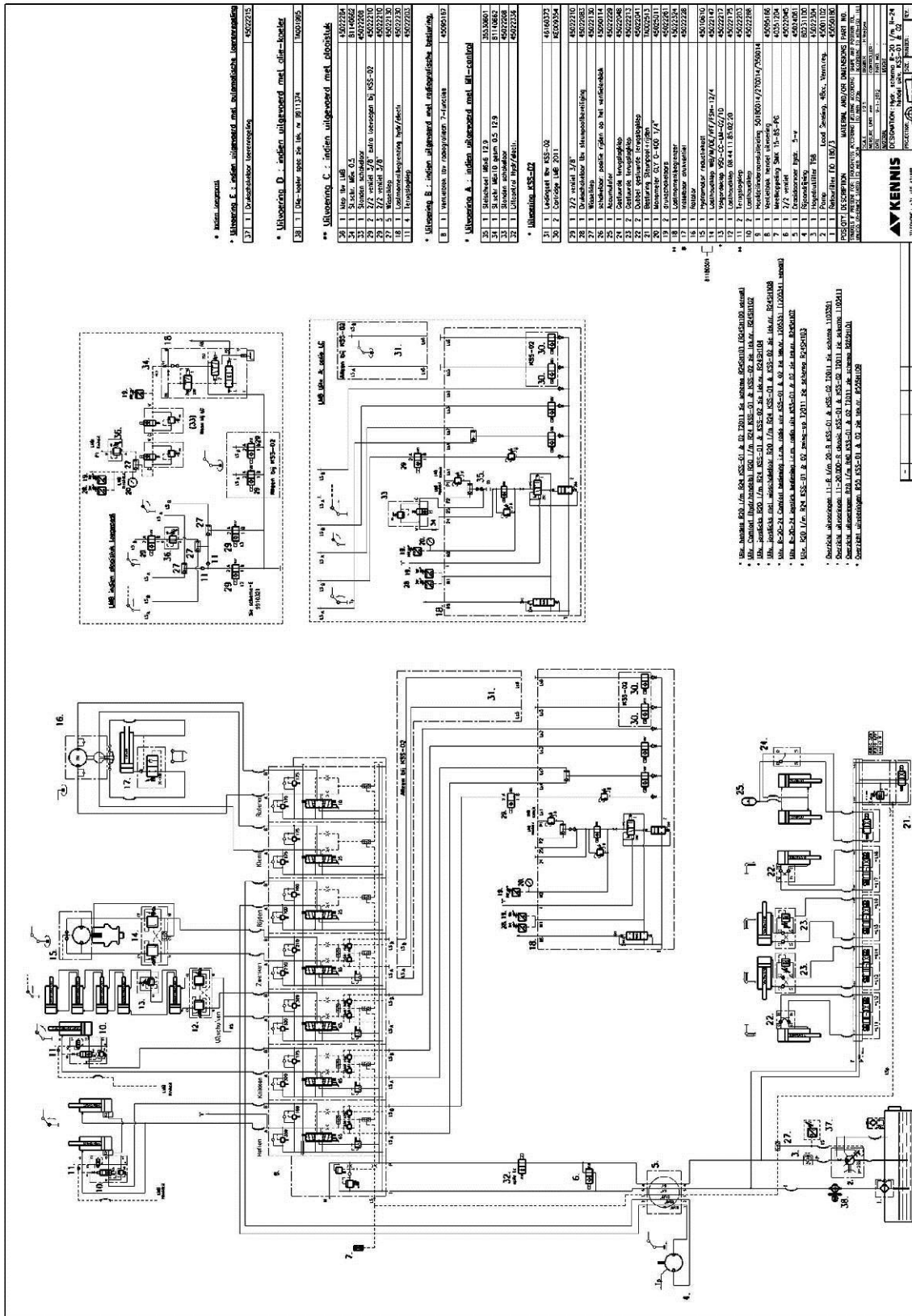
- A: Main boom down
- B: Main boom up
- C: Rotator slewing right
- D: Rotator slewing left
- E: Outer boom up
- F: Outer boom down
- G: Crane slewing right
- H: Crane slewing left

Norm: 10-05-01 eng\rev.-

Kennis R-24

Technische Specificatie / Technical Specifications

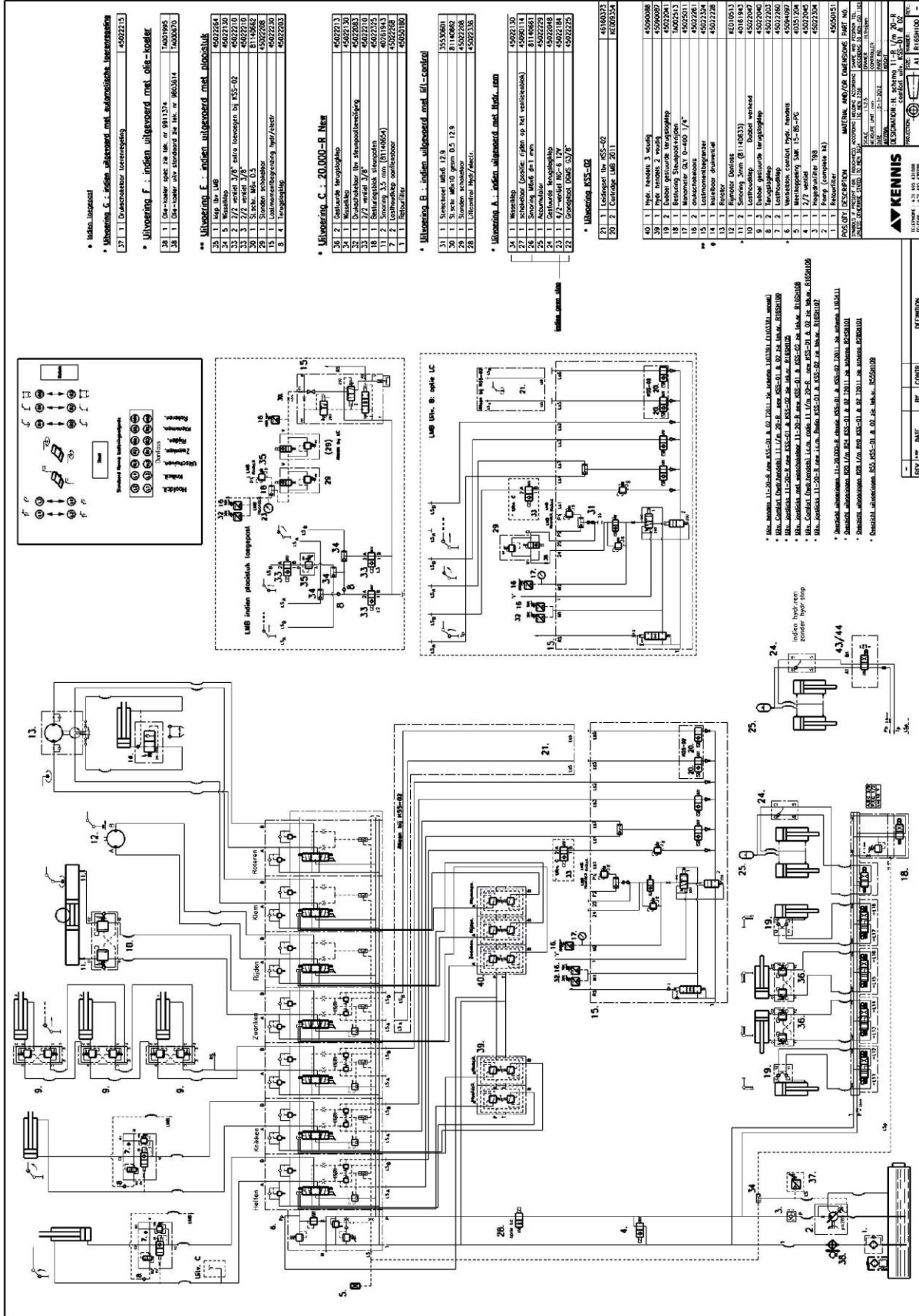
Hydraulisch schema, Hydraulic scheme R24SH101: KSS-01 & KSS-02
 Hendel bediening, levercontrol



Kennis R-24

Technische Specificatie / Technical Specifications

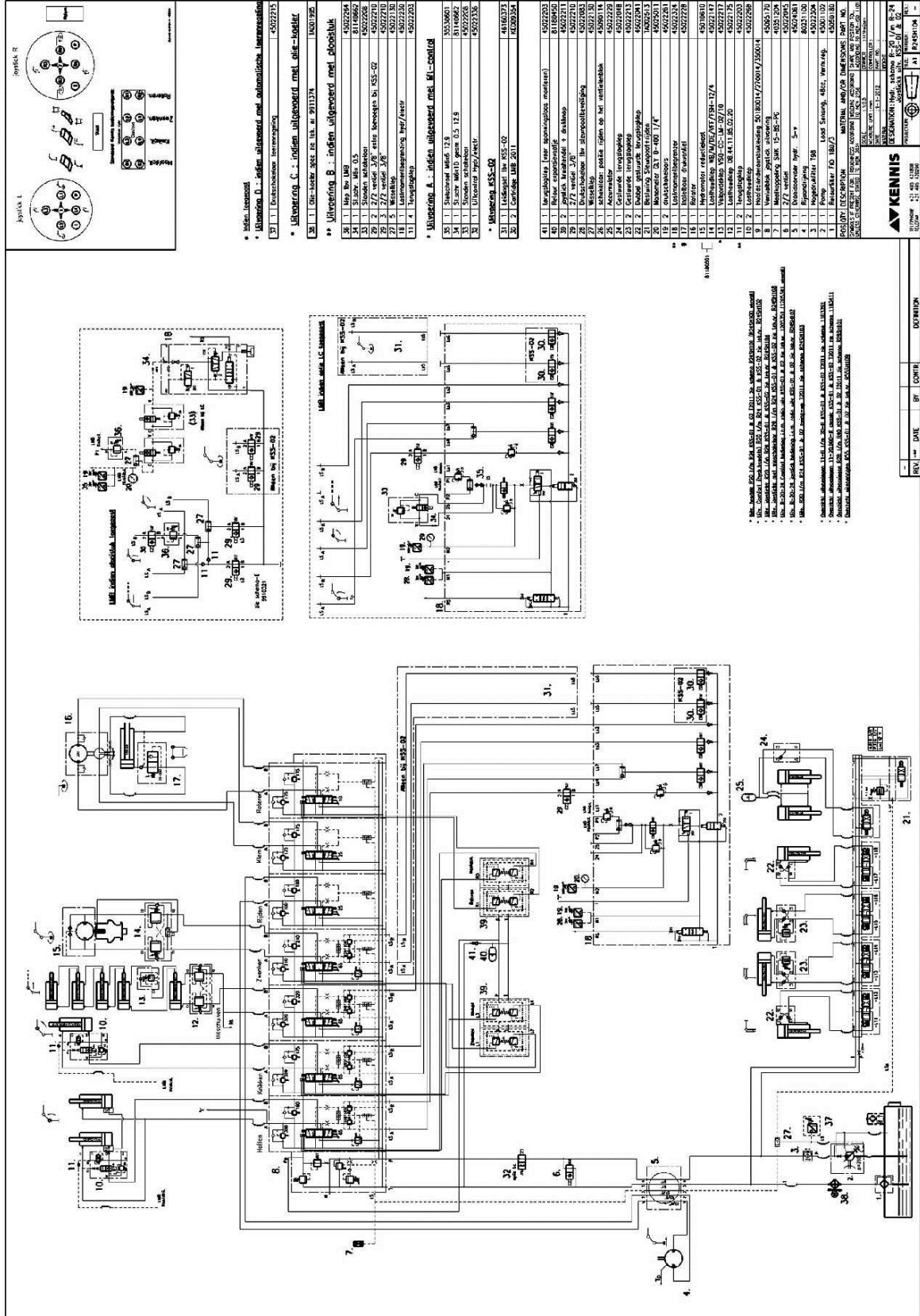
Hydraulisch schema, hydraulic scheme R24SH102: KSS-01 &KSS-02
 comfort bediening, Comfort control



Kennis R-24

Technische Specificatie / Technical Specifications

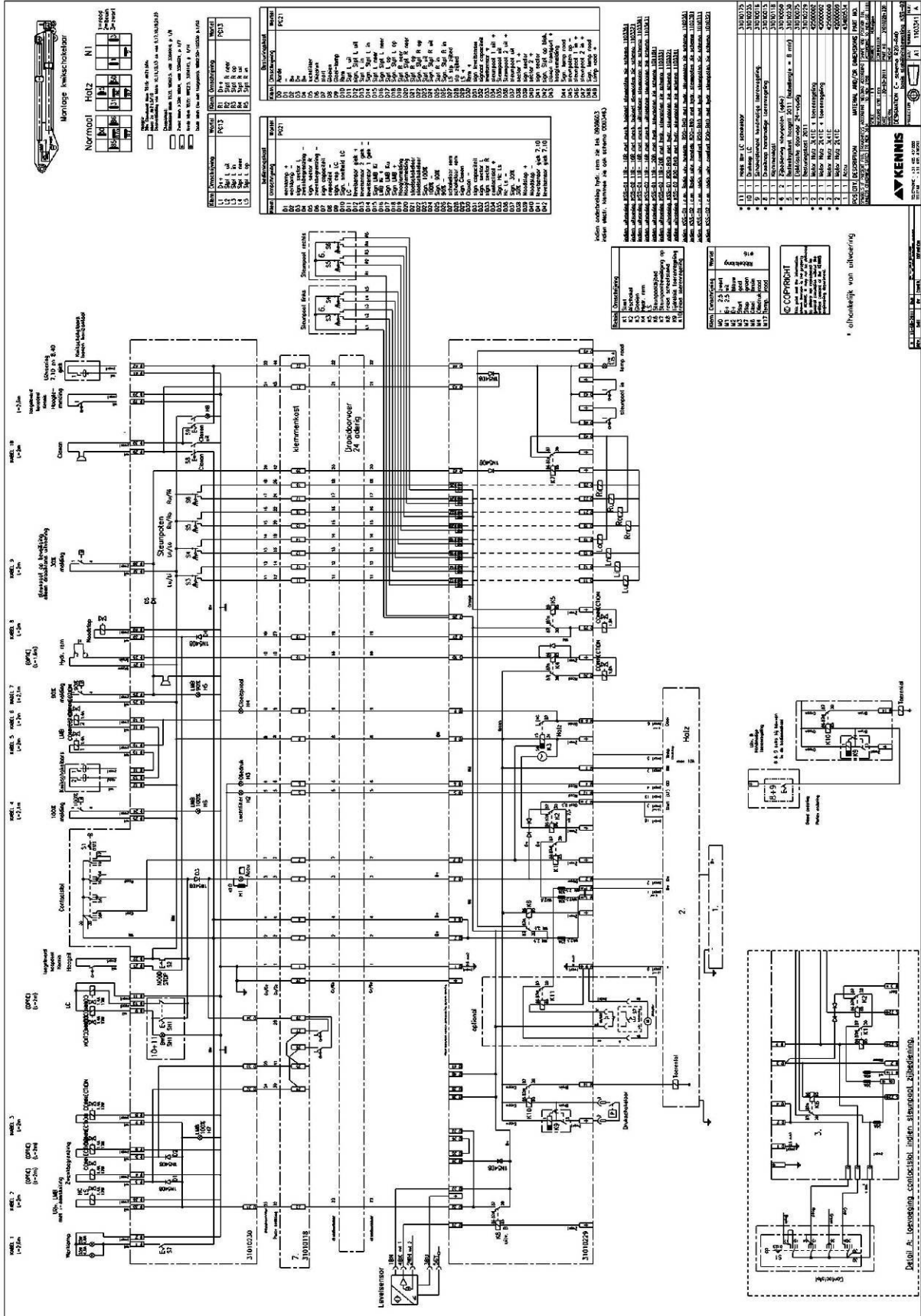
Hydraulisch schema, hydraulic scheme R24SH104: KSS-01 & KSS-02
joystick bediening, joystick control



Kennis R-24

Technische Specificatie / Technical Specifications

Electrisch schema, Electrical scheme 1103341: KSS-02.
 Hydraulische steunpoten, hydraulic stabilizers



Kennis R-24

Technische Specificatie / Technical Specifications

Opmerking, remark

Bemerkung, remarque:

Maximale hefcapaciteit met de hoofdgiek onder een hoek van 21°.
Maximum lifting capacity with main boom up to 21°.

Hijsgereedschappen maken deel uit van de last.
Lifting equipment are part of the load.

De truck, trekker en oplegger stabiliteit kunnen de kraancapaciteit beïnvloeden.
Truck, tractor and trailer stability may command derating the crane capacity.

De plaatjes en afmetingen in dit document zijn een indicatie en kunnen afwijken van de werkelijkheid.
The pictures en measurements in this document are a indication and therefore can be different from the reality.

Hyva Holding B.V. behoudt zich het recht voor zonder voorafgaande aankondiging de in deze technische instructie vermelde gegevens te wijzigen.
Alle rechten voorbehouden. Nadruk, ook in gedeelten, verboden.

Information in this document is subject to change without notice and does not represent a commitment on the part of Hyva Holding B.V..
All rights reserved. Unauthorised duplication, even partially, is forbidden.